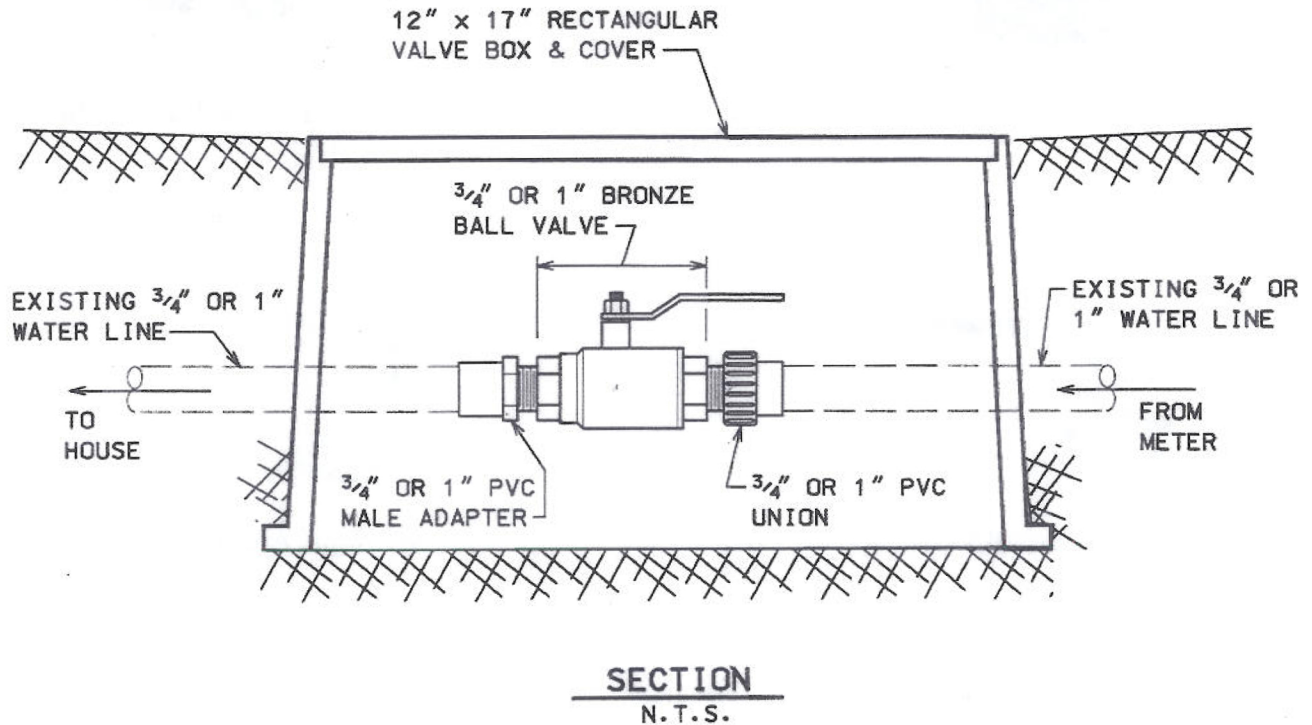


# How to Install Your Own Shut-Off Valve



**NOTE: HAVE PWD PERSONNEL SHUT OFF WATER TO HOUSE BEFORE INSTALLATION.**



Irrigation Box



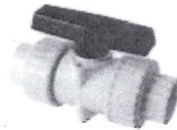
Irrigation Box



3/4" Brass Ball Valve



3/4" Male Adapter



3/4" PVC Ball Valve w/Union



3/4" PVC Union

These are the most common items that are needed for a PVC service line shut-off valve to residence. These items are generally available at your local hardware stores.

If you have a galvanized service line, the Palmdale Water District recommends that you call a plumber for installation.