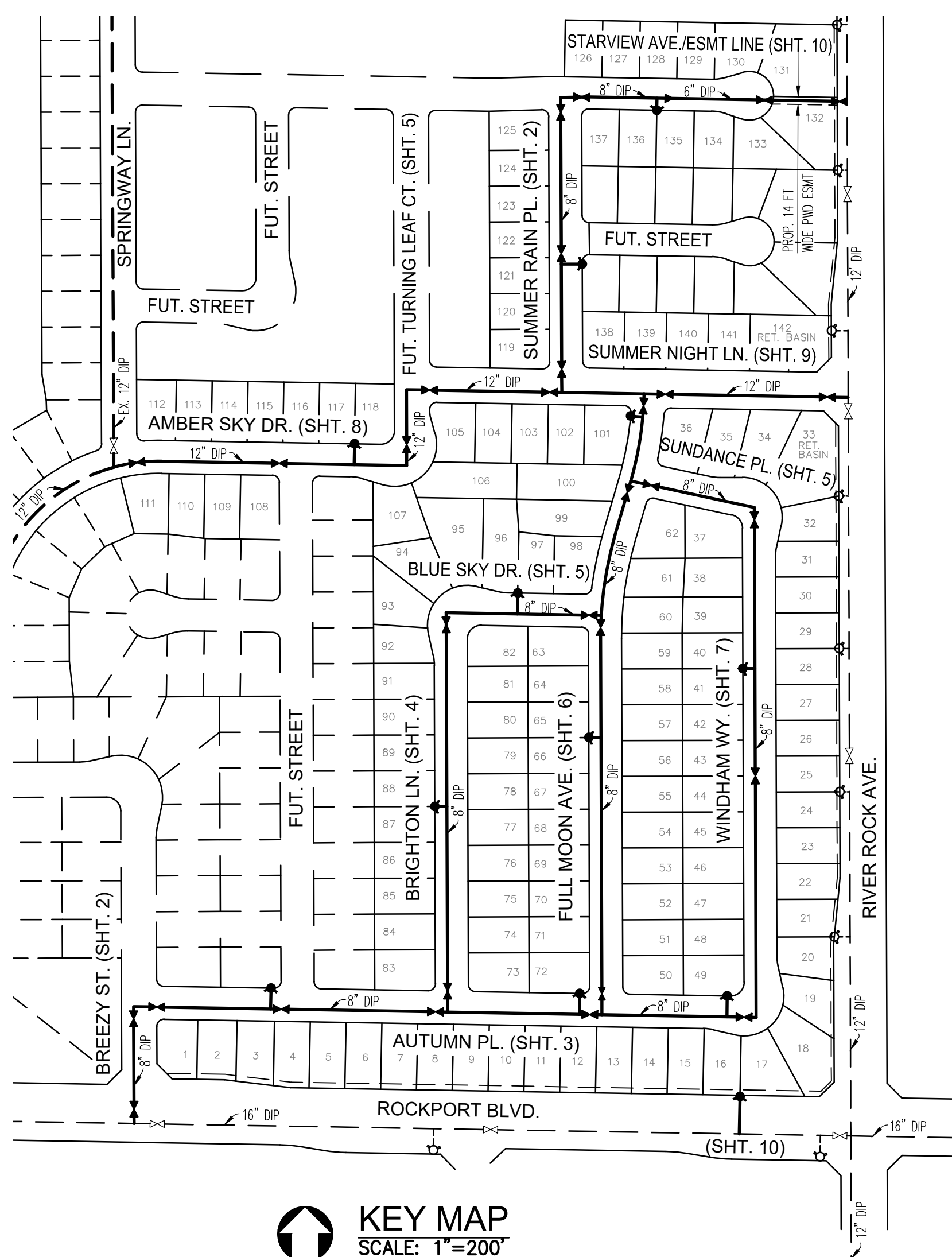


WATER SYSTEM QUANTITIES

DESCRIPTION	SHT 2	SHT 3	SHT 4	SHT 5	SHT 6	SHT 7	SHT 8	SHT 9	SHT 10	TOTAL	UNITS
12" D.I. PIPE, CL350, DCML	747	1130	138	535	802					1475	LF
8" D.I. PIPE, CL350, DCML		725	511	1135	925					3555	LF
3/4" MEASURED SVC PER P.W.D. STD. W-1	7	17	21	9	24	29	13	9	12	141	EA
1" MEASURED IRR. SVC PER P.W.D. STD. W-1 WITH APPROVED BACKFLOW DEVICE				1			2	4		7	EA
12" FLD'D BUTTERFLY VALVE, CL150, W/ VALVE BOX PER P.W.D. STD. W-5			1							1	EA
12" FLD'D TEE, D.I., CL350, DCML										1	EA
8" FLD'D GATE VALVE, CL150, W/ VALVE BOX PER P.W.D. STD. W-5	4	5	2	2	4	2				20	EA
8" FLD'D TAPPING VALVE, CL150, W/ VALVE BOX PER P.W.D. STD. W-5	1									1	EA
8" FLD'D GATE VALVE, CL150, W/ VALVE BOX PER P.W.D. STD. W-5										1	EA
8" FLD'D TAPPING VALVE, CL150, W/ VALVE BOX PER P.W.D. STD. W-5										1	EA
16" X 8" MUELLER H-615 TAPPING SLEEVE	1									1	EA
8" MJ X FLG TEE, D.I., CL350, DCML	1									1	EA
12" X 6" MUELLER H-615 TAPPING SLEEVE										1	EA
12" X 8" MJ TEE, D.I., CL350, DCML						1	2			3	EA
12" X 6" MJ X FLG TEE, D.I., CL350, DCML							1			1	EA
12" MJ TEE, D.I., CL350, DCML				1						1	EA
8" MJ TEE, D.I., CL350, DCML		3		3						1	EA
8" X 6" MJ X FLG TEE, D.I., CL350, DCML	1	3	1	1	2	1				9	EA
8" X 6" MJ TEE, D.I., CL350, DCML	1									1	EA
8" X 6" FLD'D TEE, D.I., CL350, DCML										1	EA
12" MJ 90° ELBOW, D.I., CL350, DCML				1						1	EA
8" MJ 90° ELBOW, D.I., CL350, DCML		1	1							2	EA
8" MJ X FLG 45° ELBOW, D.I., CL 350, DCML		1				1				2	EA
8" MJ X FLG 11-1/4° ELBOW, D.I., CL 350, DCML						1				1	EA
8" FLD'D 22-1/2° ELBOW, D.I., CL350, DCML						1				1	EA
8" MJ 22-1/2° ELBOW, D.I., CL350, DCML										2	EA
12" MJ X FLG ADAPTER, D.I., CL350, DCML				2			4	7		13	EA
8" MJ X FLG ADAPTER, D.I., CL350, DCML	9	10	4	4	8	4				41	EA
8" MJ X FLG ADAPTER, D.I., CL350, DCML										3	EA
8" X 6" FLG X MJ REDUCER, D.I., CL350, DCML										1	EA
12" MJ PLUG				1						1	EA
8" MJ PLUG	1	1				1				1	EA
6" MJ PLUG	1									1	EA
12" TEST PLATE							1			1	EA
8" TEST PLATE	1									1	EA
6" TEST PLATE										1	EA
1" AIR/VAC PER P.W.D. STD. W-16										1	EA
8" X 6" MJ 90° REDUCING ELBOW, D.I., CL350, DCML										1	EA
6" X 4" X 2-1/2" FIRE HYDRANT COMPLETE PER P.W.D. STD. W-2A	1	3	1	1	2	1	1			12	EA
8" MJ 45° ELBOW, D.I., CL 350, DCML		1								1	EA
CONCRETE THRUST BLOCK PER P.W.D. W-4										AS REQUIRED	



KEY MAP
SCALE: 1"=200'

GENERAL NOTES

- WATER SYSTEM TO BE CONSTRUCTED PER PALMDALE WATER DISTRICT (PMD) STANDARD SPECIFICATIONS, LATEST REVISION. COPIES OF SAID SPECIFICATIONS ARE ON FILE AT BOTH PALMDALE WATER DISTRICT, 2029 EAST AVE Q, PALMDALE, CA 93550, AND AT THE OFFICE OF THE CITY ENGINEER AT THE CITY HALL, PUBLIC SERVICE BUILDING, 38250 SIERRA HIGHWAY, PALMDALE, CA 93550.
- THE CONTRACTOR SHALL NOTIFY PALMDALE WATER DISTRICT IN WRITING AT 2029 EAST AVENUE Q, PALMDALE, CA 93550 (661-947-4111) AND THE CITY ENGINEER (661-267-5272) AT LEAST 48 HOURS BEFORE STARTING ANY WATER SYSTEM CONSTRUCTION TO BE PERFORMED HEREUNDER.
- THE CONTRACTOR IS REQUIRED TO OBTAIN CITY AND COUNTY PUBLIC ROAD AND CALTRANS ENCROACHMENT PERMITS FOR WATER SYSTEM FACILITIES. ALL EXCAVATIONS FOR WATER SYSTEM CONSTRUCTION SHALL BE BACKFILLED, COMPACTED AND FINISHED IN ACCORDANCE WITH THE REQUIREMENTS OF THE APPLICABLE PERMIT. THE MINIMUM COMPACTION REQUIREMENTS FOR ANY EXCAVATION ARE: 90% RELATIVE COMPACTION FROM SUBGRADE TO THE BOTTOM OF EXCAVATION. CONTRACTOR SHALL SUBMIT TO THE PALMDALE WATER DISTRICT COMPACTION REPORTS FROM A CERTIFIED SOILS LABORATORY CONFIRMING TRENCH COMPACTION. A MINIMUM OF _____ TEST(S) SHALL BE CONDUCTED.
- THE CONTRACTOR SHALL CONTACT ALL OTHER UTILITIES INCLUDING SBC (805) 583-6585, SOUTHERN CALIFORNIA EDISON (661) 945-9317, SOUTHERN CALIFORNIA GAS (818) 353-8511, AND ADELPHIA (661)273-1890 FOR LOCATIONS OF THEIR EXISTING AND PROPOSED FACILITIES PRIOR TO EXCAVATIONS IN THIS AREA.
- THE PLAN CHECK DEPOSIT FOR THIS PROJECT IS \$_____. THIS FEE MUST BE PAID TO THE DISTRICT PRIOR TO PLAN CHECK ACTIVITY.
- THE INSPECTION DEPOSIT FOR THIS PROJECT IS \$_____. THIS AMOUNT MUST BE PAID TO THE DISTRICT BEFORE BEGINNING CONSTRUCTION ACTIVITY.
- THE FORESTER AND THE FIRE WARDEN HAVE REQUIRED THAT THE FIRE FLOW FOR PUBLIC HYDRANTS FOR THIS PROJECT BE _____ GPM. THE REQUIRED FIRE FLOW FOR PRIVATE ON-SITE HYDRANTS IS _____ GPM. FIRE FLOW SHALL BE OVER AND ABOVE MAXIMUM DAILY DOMESTIC DEMAND FOR A DURATION OF _____ HOURS AT A MINIMUM PRESSURE OF 20 PSI.
- THE FRONT FOOTAGE FEE FOR TRACT 71770 IS \$_____. THE ASSESSMENT PARITY CHARGES ARE \$_____. THE CAPITAL IMPROVEMENT CHARGE FOR THIS PROJECT IS \$_____. THESE AMOUNTS MUST BE PAID TO THE DISTRICT PRIOR TO BEGINNING ANY CONSTRUCTION ACTIVITY.
- IF CHANGES TO THESE CONSTRUCTION PLANS ARE REQUIRED DUE TO FIELD CONDITIONS WHICH ARE NOT SHOWN ON THE PLANS, SUCH PROPOSED CHANGES SHALL BE SUBMITTED BY THE ENGINEER OF RECORD FOR REVIEW BY THE DISTRICT PRIOR TO CONSTRUCTION.
- METERS ARE TO BE PURCHASED THROUGH PALMDALE WATER DISTRICT.
- AS-BUILT DRAWINGS MUST BE SUBMITTED TO THE DISTRICT PRIOR TO THE ISSUANCE OF A FIRE LETTER.
- THE DEVELOPER IS REQUIRED TO APPLY FOR WATER SERVICE FOR ALL PROPERTIES SHOWN HEREON PRIOR TO ACTIVATION OF THE PROJECT WATER SYSTEM. ALL SERVICES WILL BE BILLED IN ACCORDANCE WITH PALMDALE WATER DISTRICT POLICIES AND REGULAR RATES FROM THE SYSTEM ACTIVATION DATE.

GENERAL NOTES

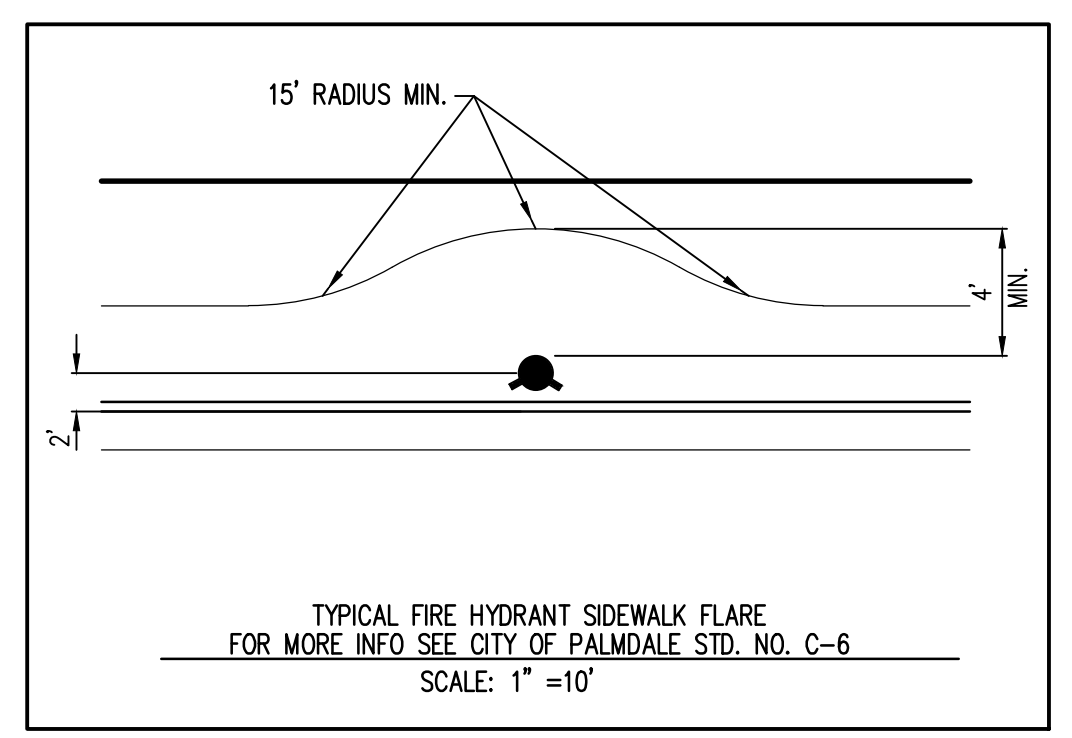
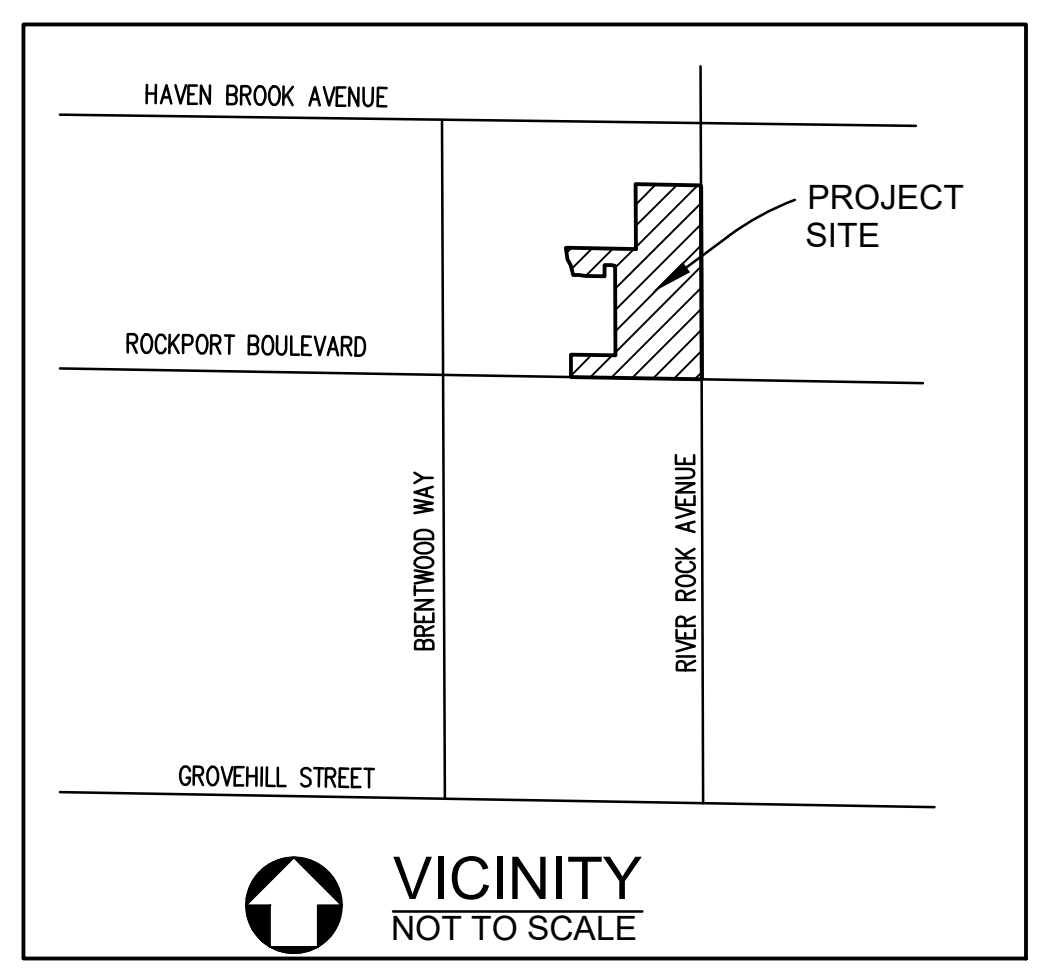
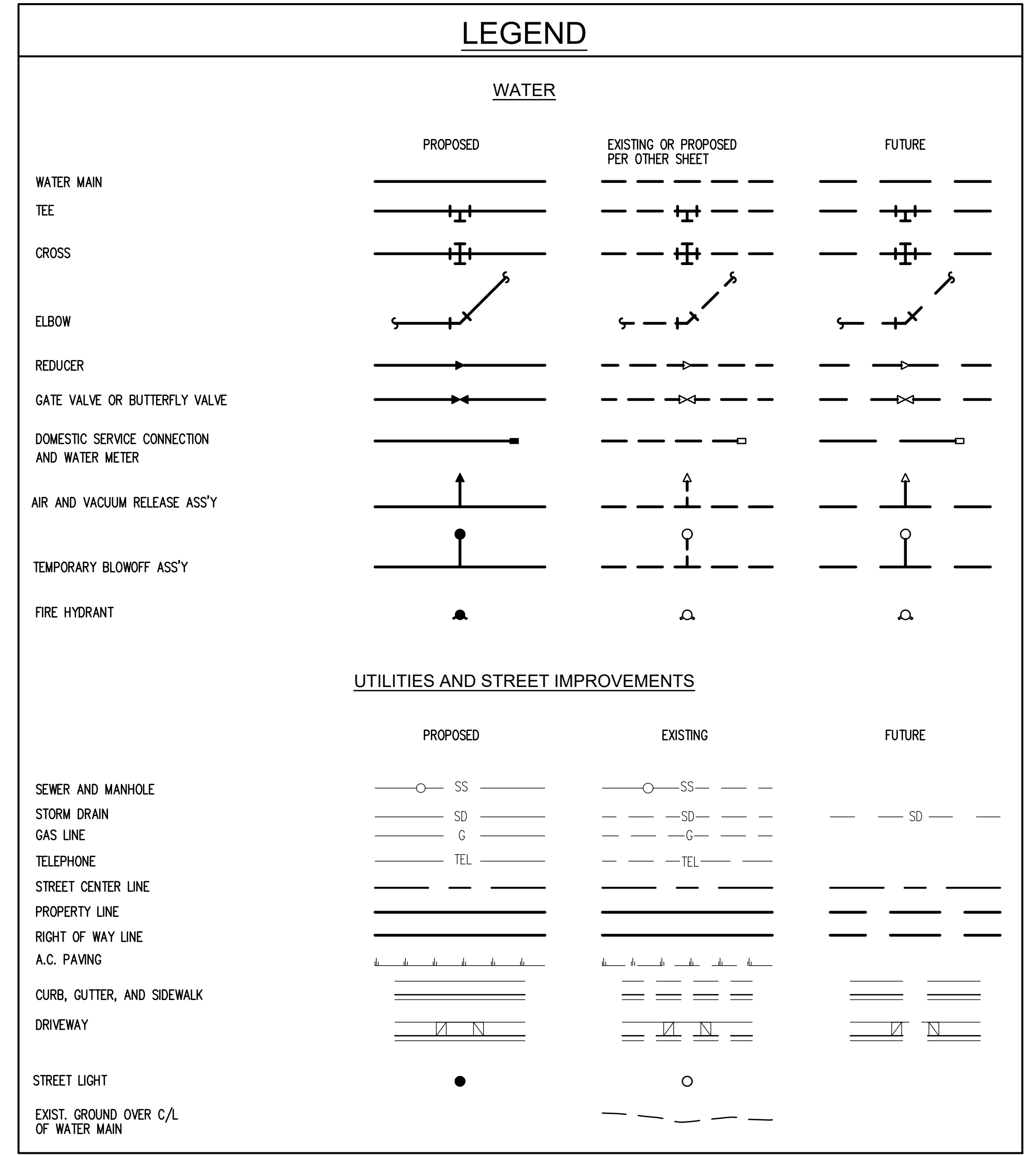
- FITTINGS REFLECT THE USE OF DUCTILE IRON PIPE. IF AN ALTERNATIVE PIPE IS USED, THE FITTINGS MUST REFLECT THE USE OF SAID PIPE.
- ALL MJ FITTINGS REQUIRE THE USE OF RETAINING GLANDS.
- ALL BRANCH AND RUN FITTINGS TO BE RESTRAINED BY HARNESS SYSTEM PER P.W.D. STD. W-18-23.
- CONTRACTOR SHALL PROVIDE ALL MATERIALS, LABOR, AND EQUIPMENT FOR TESTING, FLUSHING, AND DISINFECTION OF PIPELINE. BLOW-OFFS TO BE PLUGGED WITH SOLID IRON PLUG AFTER TIE-IN.
- PROPOSED WATER MAIN SHALL MAINTAIN A MINIMUM OF 48" COVER FROM ANY PROPOSED OR FUTURE T.C. GRADE. WHERE EXISTING GRADE FALLS BELOW FUTURE T.C. GRADE, CONTRACTOR TO PROVIDE COMPACTED FILL TO MAINTAIN A MINIMUM 48" OF COVER AT FUTURE T.C. GRADE A MINIMUM OF TEN FEET (10') EITHER SIDE OF PROPOSED MAINLINE PRIOR TO INSTALLATION OF MAIN.
- CONTRACTOR TO POT-HOLE ALL UTILITY CROSSINGS AND TIE-IN POINTS PRIOR TO CONSTRUCTION TO VERIFY LOCATION, DEPTH, AND CONFIGURATION OF EXISTING FACILITIES.
- PRESSURE REGULATORS ARE REQUIRED FOR ALL SERVICES WHERE SYSTEM PRESSURE MEETS OR EXCEEDS 80 PSI. REGULATORS TO BE INSTALLED BY THE DEVELOPER AND MAINTAINED BY THE PROPERTY OWNER.
- NEW SERVICES ARE SHOWN AT APPROXIMATE LOCATIONS. ULTIMATE LOCATIONS WILL BE FIELD DETERMINED BY DISTRICT INSPECTORS.
- ALL AFFECTED CUSTOMERS MUST BE NOTIFIED A MINIMUM OF 24 HOURS IN ADVANCE OF DOWN TIME. DOWN TIME NOT TO EXCEED 4 HOURS.
- ALL SALVAGEABLE FITTINGS SHALL BE RETURNED TO PMD YARD.
- ALL TIE-INS AND SHUTDOWNS INVOLVING EXISTING SYSTEM WILL BE COORDINATED WITH AND PERFORMED UNDER P.W.D. SUPERVISION.

NOTE: STATIONING SHOWN ON THESE PLANS IS RELATIVE TO STREET CENTERLINE SHOWN ON STREET IMPROVEMENT PLANS

DESCRIPTION
BENCH MARK
PALMDALE QUAD
BM _____ El. _____ NAVD 88 1998 Adjustment

UNDERGROUND UTILITIES

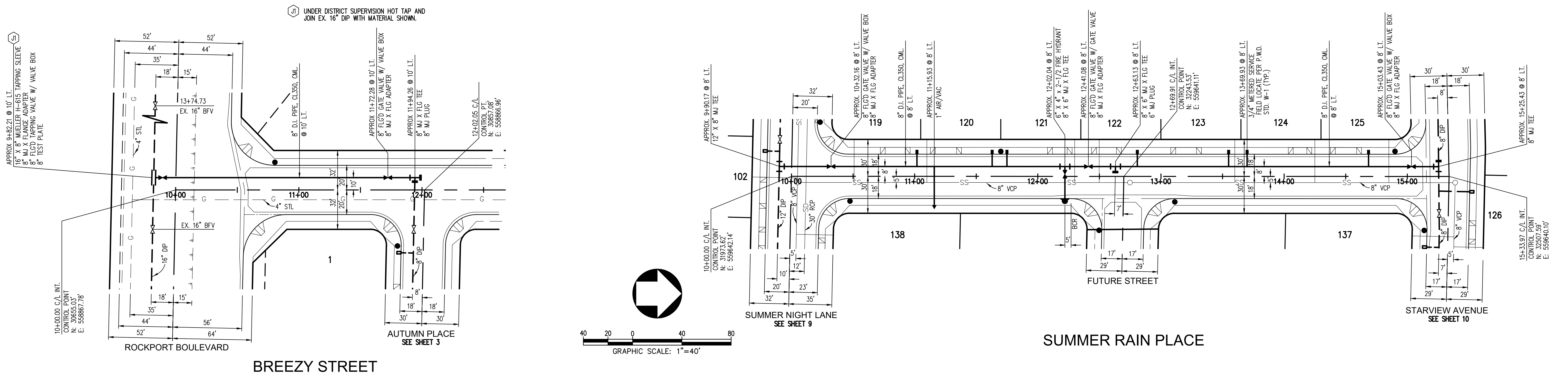
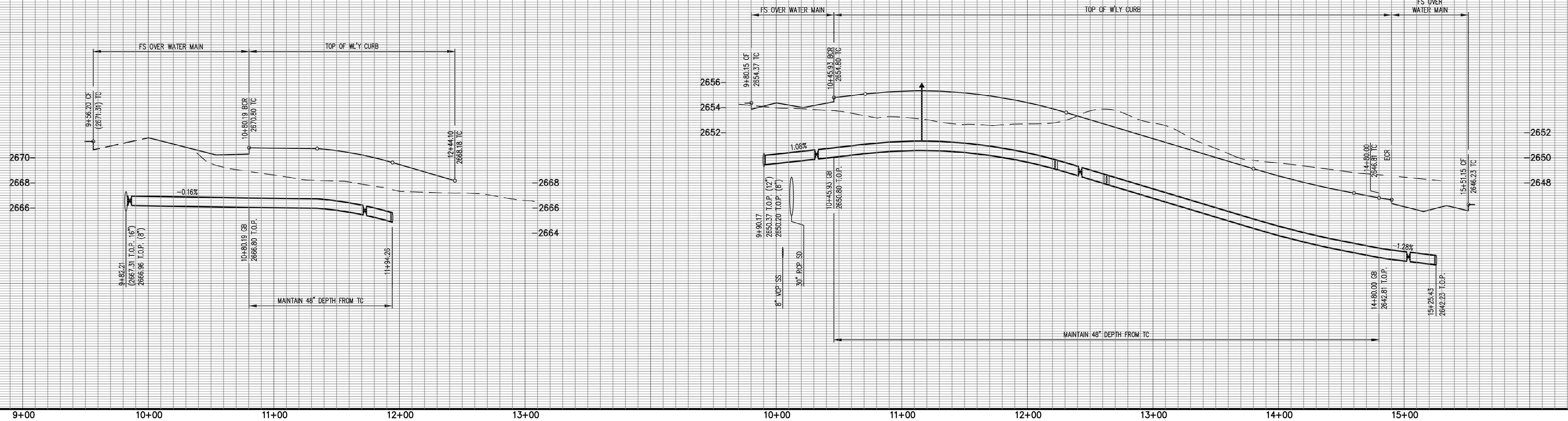
BEFORE STARTING EXCAVATION, THE CONTRACTOR SHOULD CONTACT:
 THE GENERAL TELEPHONE COMPANY, UNDERGROUND SERVICE ALERT TELEPHONE: 1-800-422-4133
 THE SOUTHERN CALIFORNIA EDISON COMPANY, MR. DAVE RUPP TELEPHONE: 1-661-945-9335
 SBC UNDERGROUND SERVICE ALERT TELEPHONE: 510-645-2929
 THE SOUTHERN CALIFORNIA GAS COMPANY, MR. PHIL CHURCH TELEPHONE: 1-661-948-1526



RECORD RCE		REVISIONS BLOCK		PMD		DEVELOPER INFO	
NO.	DATE	REVISION DESCRIPTION	APPR.	DATE	NAME, ADDRESS, PHONE	REGISTERED CIVIL ENGINEER STAMP	ENGINEERING FIRM INFORMATION
							NAME ADDRESS, PHONE, FAX, ETC.

PALMDALE WATER DISTRICT		WATER SYSTEM IMPROVEMENTS	
APPROVED BY:		TRACT 71770	
MATERIAL LIST, GENERAL NOTES, KEY MAP, VICINITY MAP, BENCH MARK, LEGEND		MATERIAL LIST, GENERAL NOTES, KEY MAP, VICINITY MAP, BENCH MARK, LEGEND	
NAME	DATE	PALMDALE WATER DISTRICT	DATE

SCALE: HOR. 1" = 40'
VERT. 1" = 4'



RECORD RCE		REVISIONS BLOCK		PMD		DEVELOPER INFO	
NO.	BY	DATE	REVISION DESCRIPTION	APPR.	DATE	NAME	ADDRESS, PHONE
△							

REGISTERED CIVIL ENGINEER STAMP

ENGINEERING FIRM INFORMATION
NAME, ADDRESS, PHONE, FAX, ETC.

PALMDALE WATER DISTRICT

APPROVED BY: _____

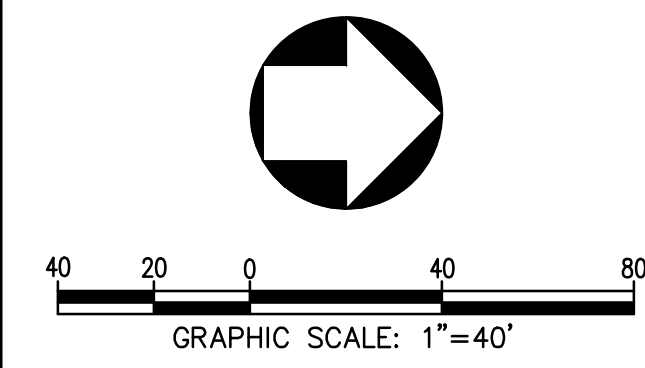
NAME _____ DATE _____

WATER SYSTEM IMPROVEMENTS

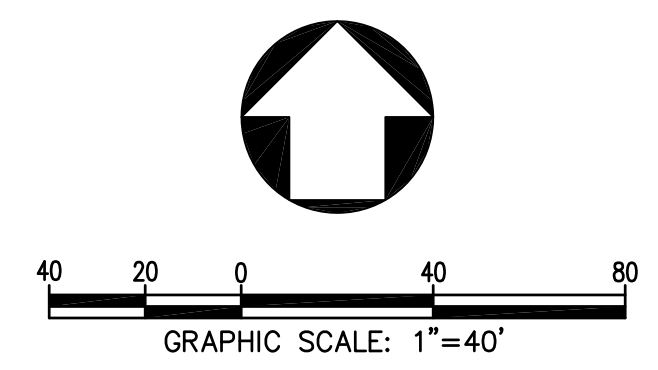
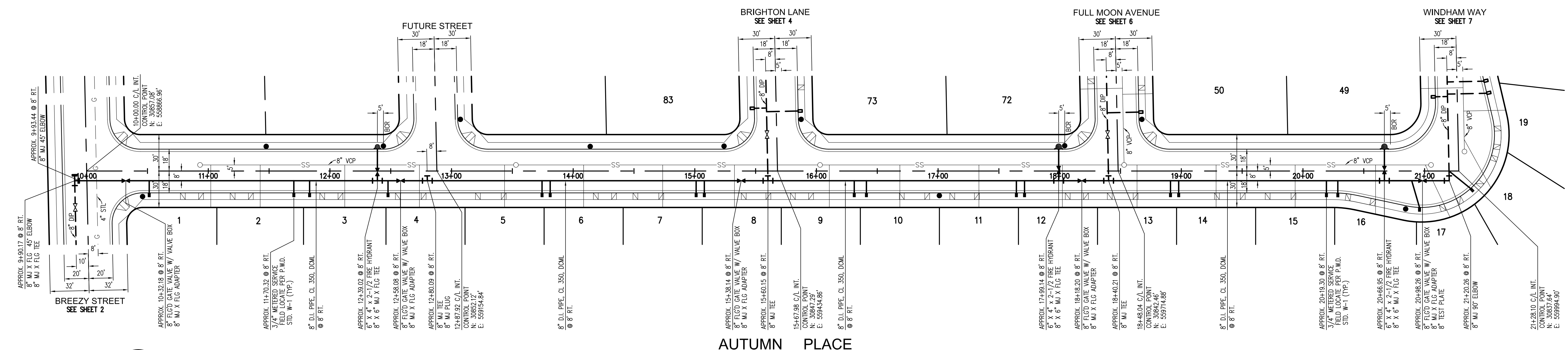
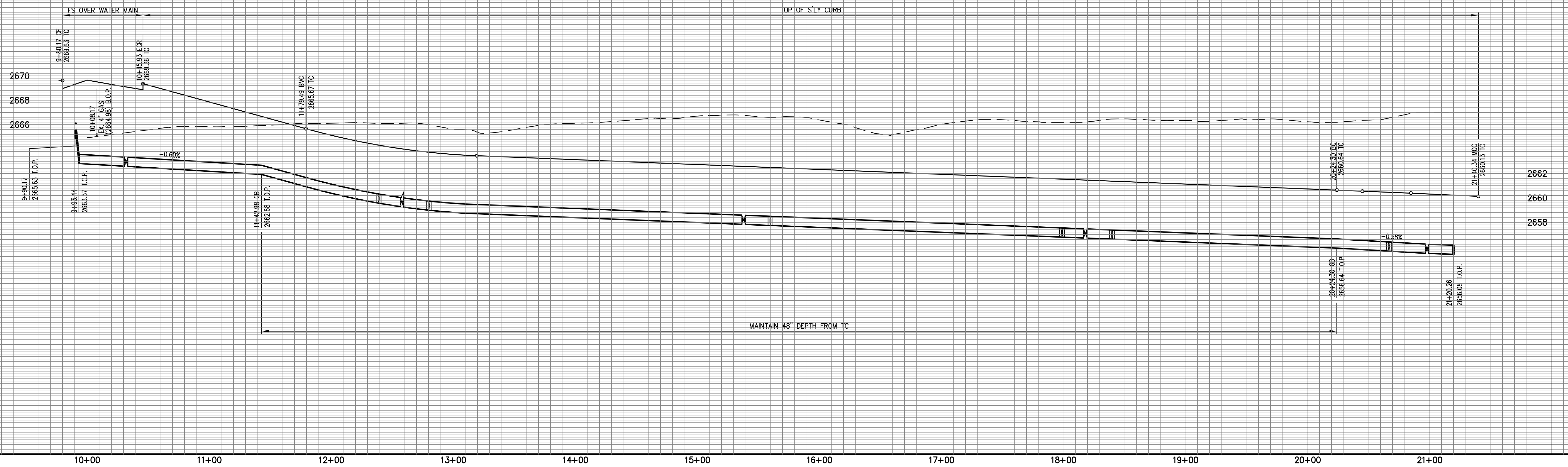
BREEZY STREET
FROM 9+82.21 TO 11+94.26

SUMMER RAIN PLACE
FROM 9+90.17 TO 15+25.43

WSM NO. 46-87 TRACT 71770 SHEET: 2 OF 10



SCALE: HOR. 1" = 40'
VERT. 1" = 4'



RECORD RCE		REVISIONS BLOCK	PMD	
NO.	DATE		APPR.	DATE
△				

DEVELOPER INFO
NAME, ADDRESS, PHONE

REGISTERED CIVIL
ENGINEER STAMP

ENGINEERING FIRM INFORMATION
NAME, ADDRESS, PHONE, FAX, ETC.

NAME _____ DATE _____

PALMDALE WATER DISTRICT

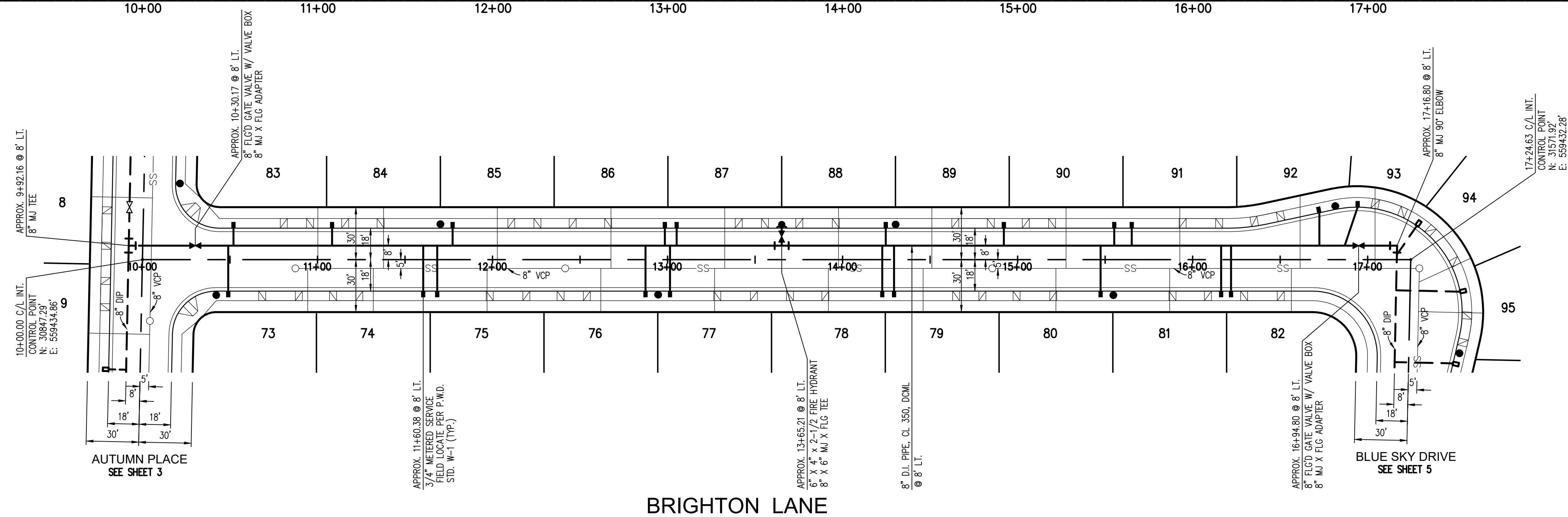
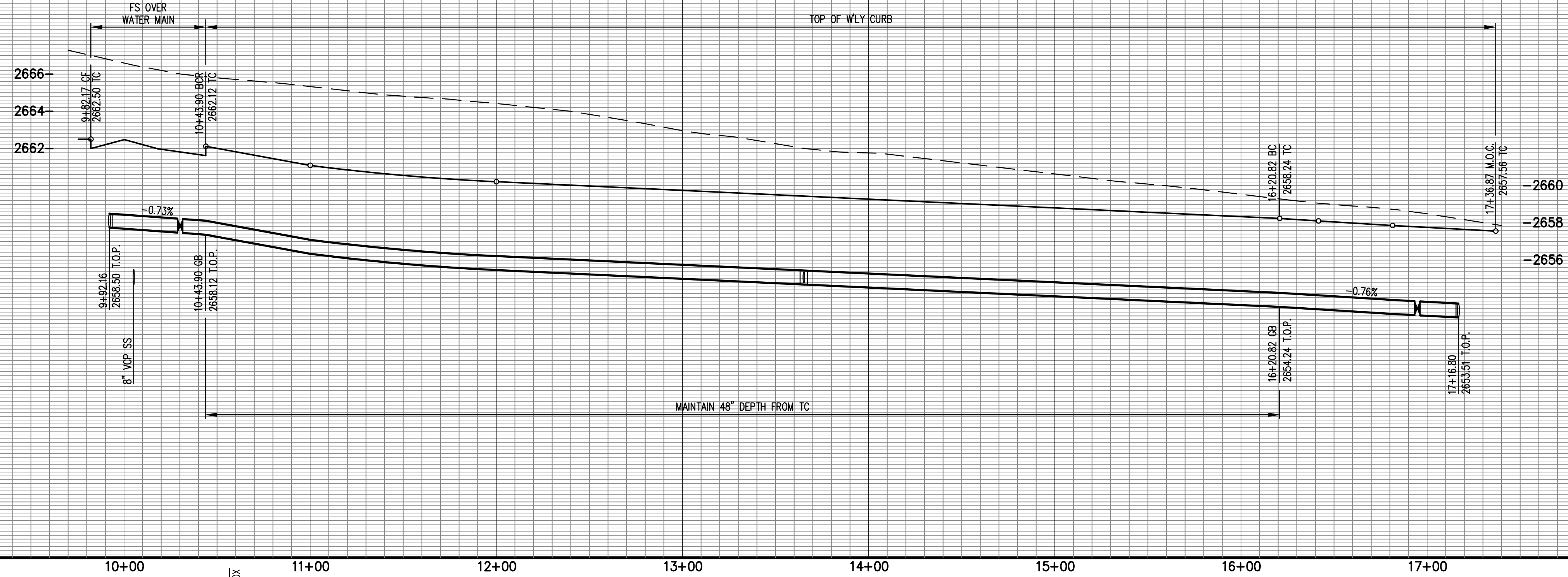
APPROVED BY:

WATER SYSTEM IMPROVEMENTS

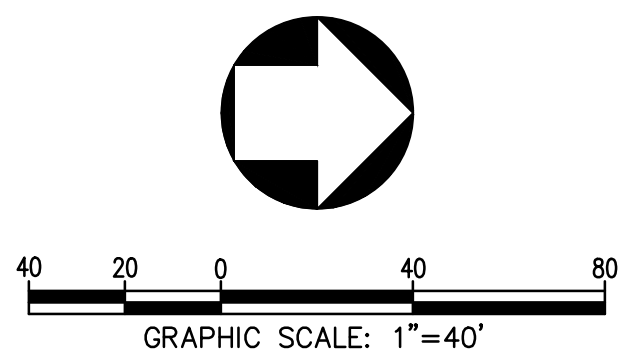
AUTUMN PLACE
FROM 9+90.17 TO 21+20.26

WSM NO. 46-87 TRACT 71770 SHEET: 3 OF 10

SCALE: HOR. 1" = 40'
VERT. 1" = 4'



BRIGHTON LANE



RECORD RCE		REVISIONS BLOCK		PMD		DEVELOPER INFO NAME, ADDRESS, PHONE
NO.	DATE	REVISION DESCRIPTION	APPR.	DATE		
△						

REGISTERED CIVIL
ENGINEER STAMP

ENGINEERING FIRM INFORMATION
NAME, ADDRESS, PHONE, FAX, ETC.

NAME _____ DATE _____

PALMDALE WATER DISTRICT

APPROVED BY: _____

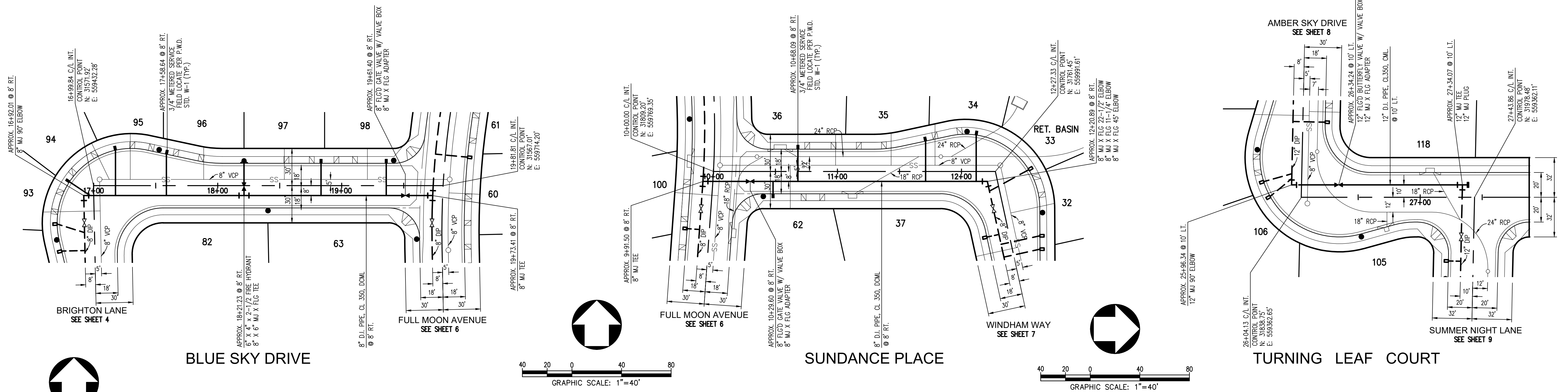
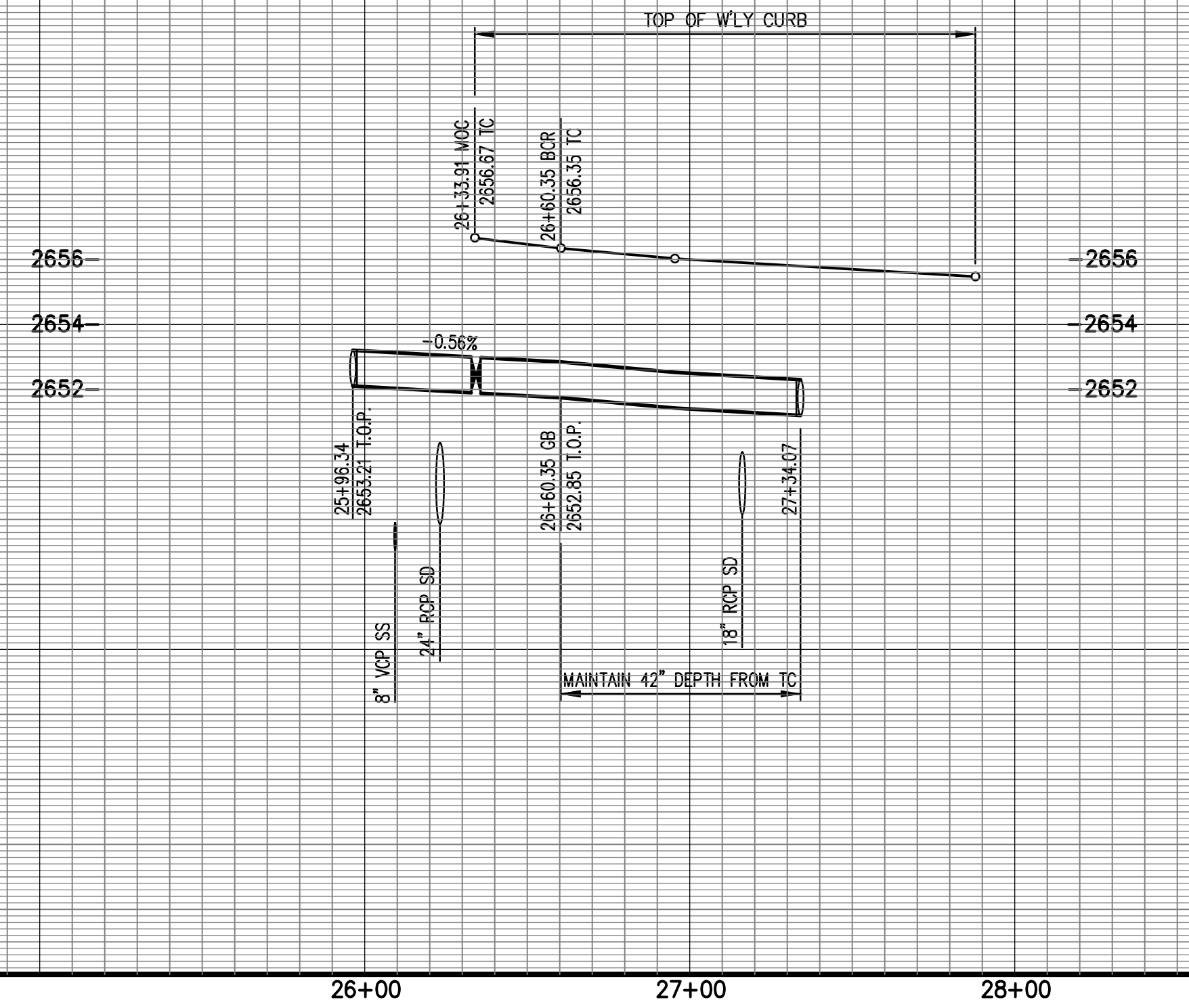
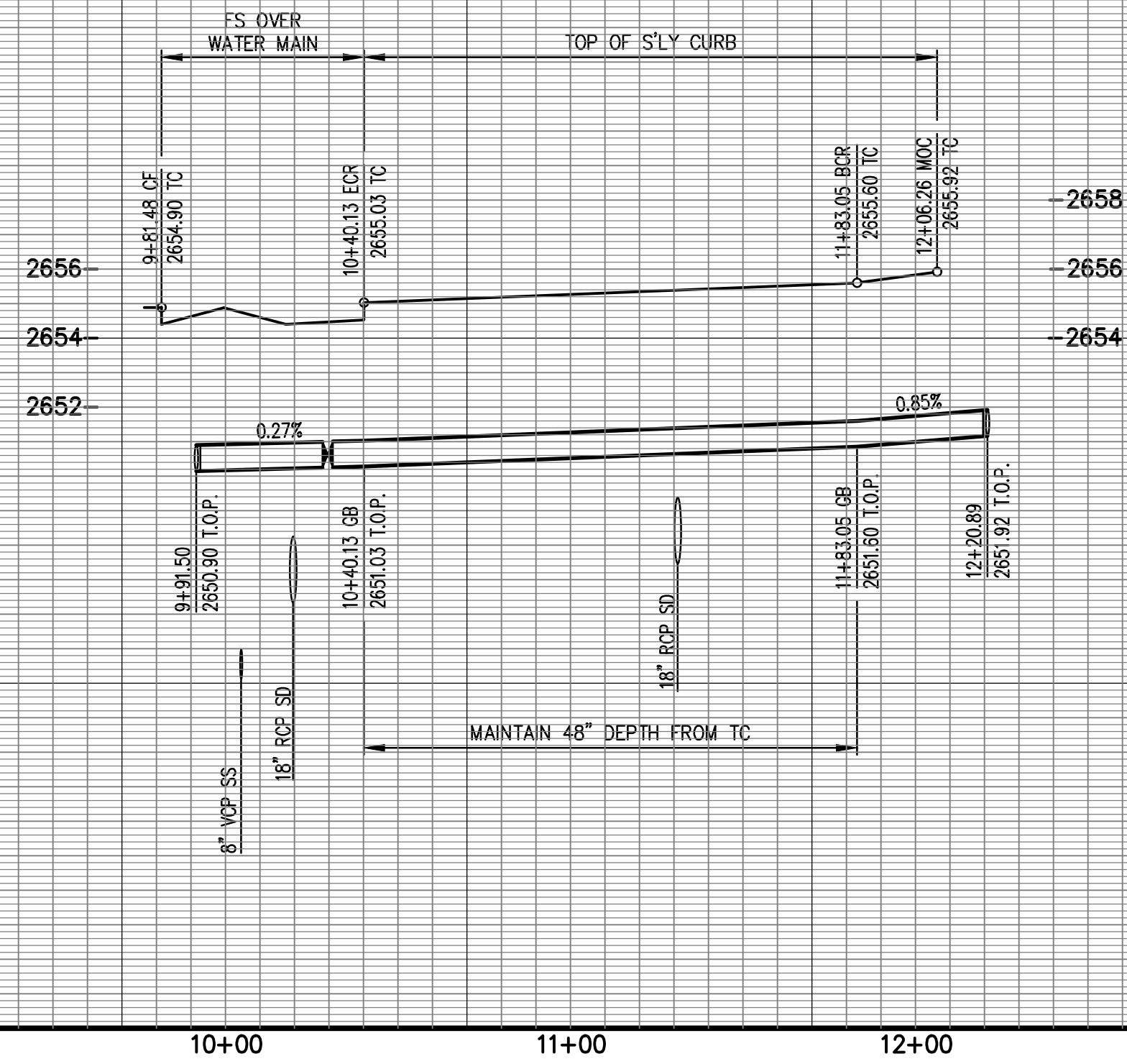
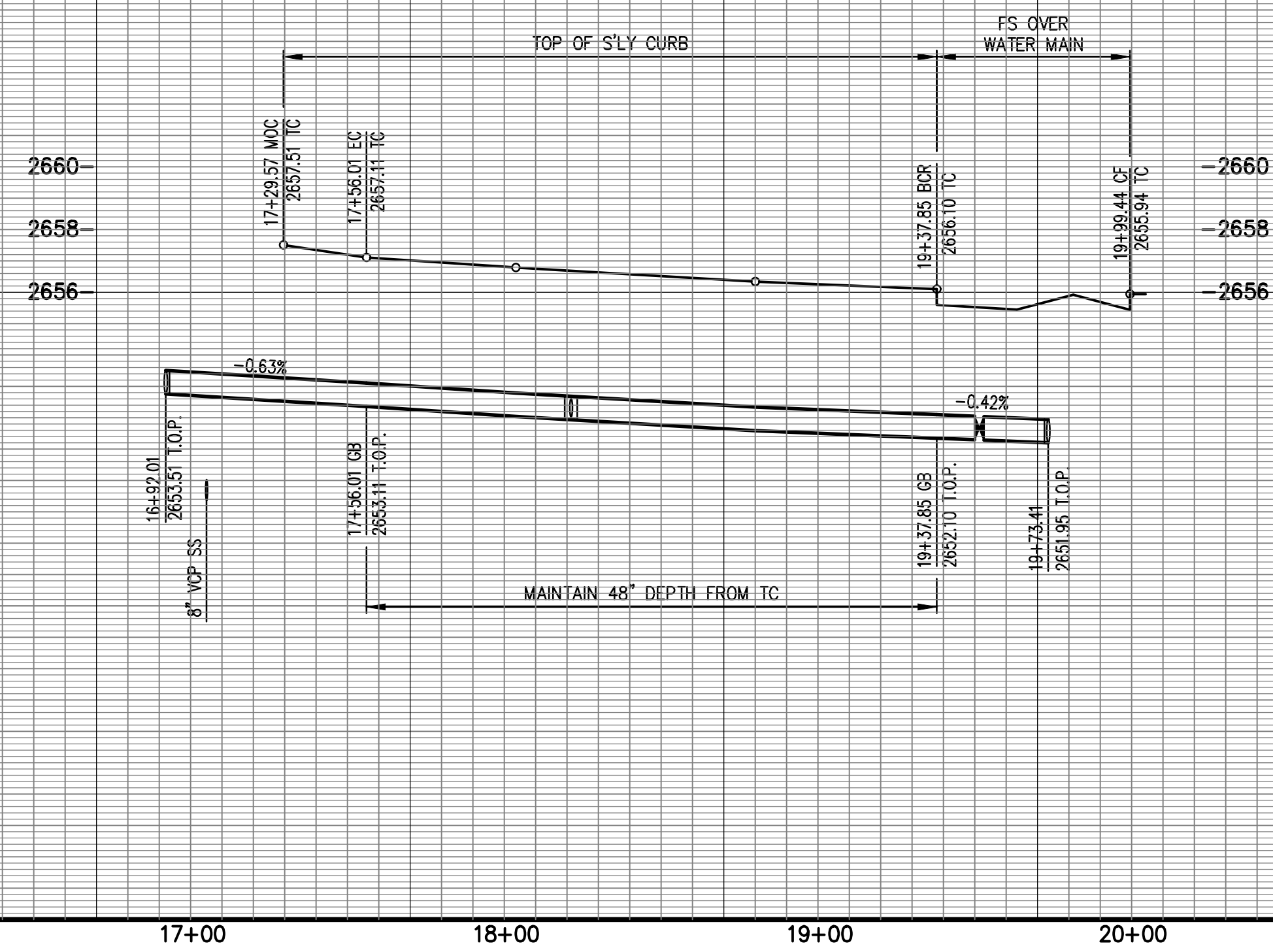
PALMDALE WATER DISTRICT DATE _____

WATER SYSTEM IMPROVEMENTS

BRIGHTON LANE
FROM 9+92.16 TO 17+16.80

WSM NO. 46-87 TRACT 71770 SHEET: 4 OF 10

SCALE: HOR. 1" = 40'
VERT. 1" = 4'



RECORD RCE		REVISIONS BLOCK		PWD		DEVELOPER INFO	
NO.	BY	DATE	REVISION DESCRIPTION	APPR.	DATE	NAME, ADDRESS, PHONE	
△							

REGISTERED CIVIL ENGINEER STAMP

ENGINEERING FIRM INFORMATION
NAME, ADDRESS, PHONE, FAX, ETC.

NAME _____ DATE _____

PALMDALE WATER DISTRICT

APPROVED BY:

PALMDALE WATER DISTRICT DATE _____

WATER SYSTEM IMPROVEMENTS

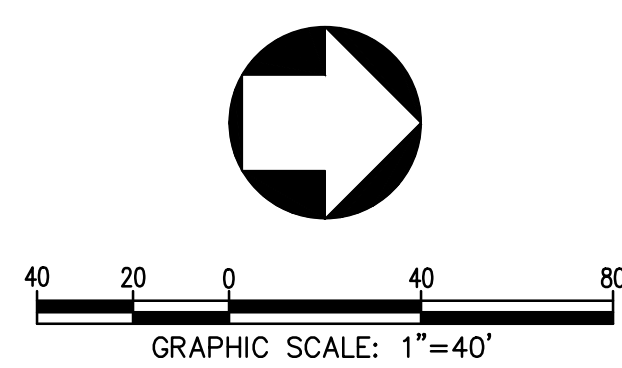
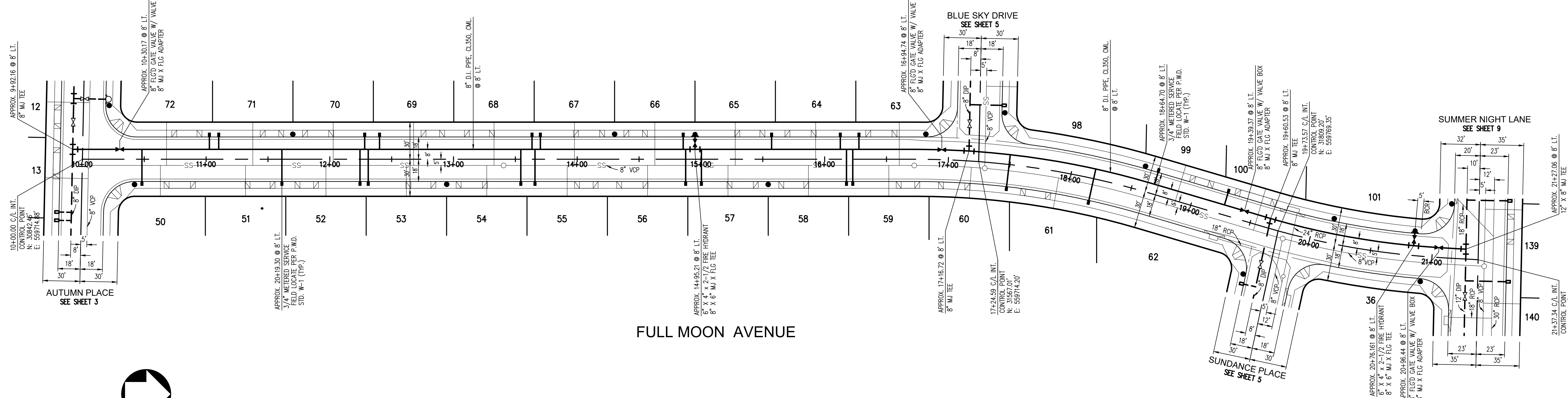
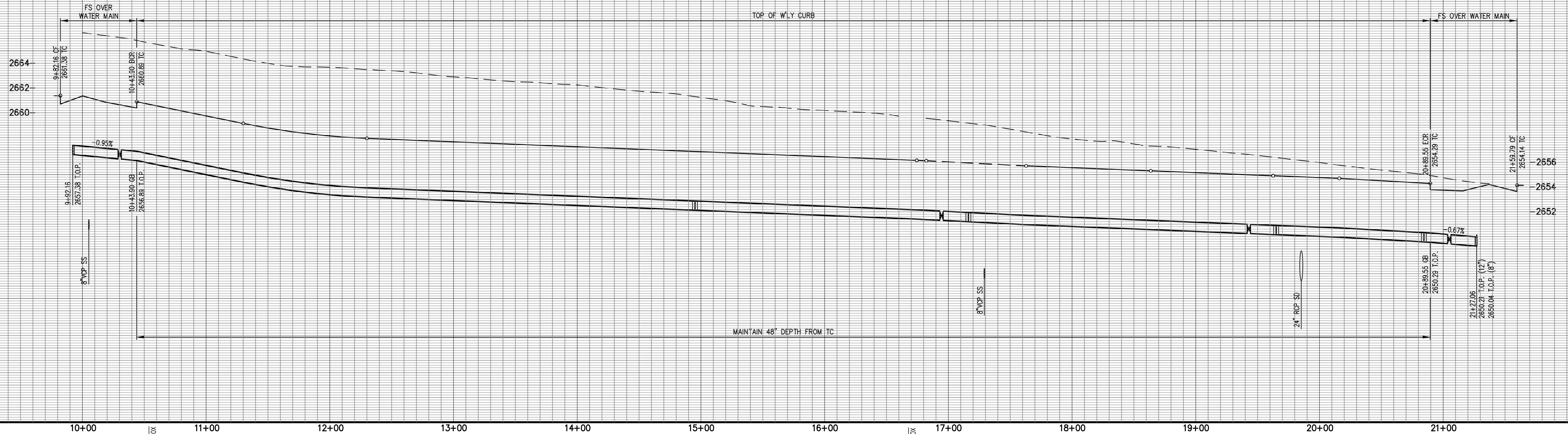
BLUE SKY DRIVE FROM 16+92.01 TO 19+73.41

SUNDANCE PLACE FROM 9+91.50 TO 12+20.89

TURNING LEAF COURT FROM 25+96.34 TO 27+34.07

WSM NO. 46-87 TRACT 71770 SHEET: 5 OF 10

SCALE: HOR. 1" = 40'
VERT. 1" = 4'



RECORD RCE		REVISIONS BLOCK	PMD	
NO.	DATE		APPR.	DATE
△				

DEVELOPER INFO
NAME, ADDRESS, PHONE

REGISTERED CIVIL ENGINEER STAMP

ENGINEERING FIRM INFORMATION
NAME, ADDRESS, PHONE, FAX, ETC.

NAME _____ DATE _____

PALMDALE WATER DISTRICT

APPROVED BY: _____

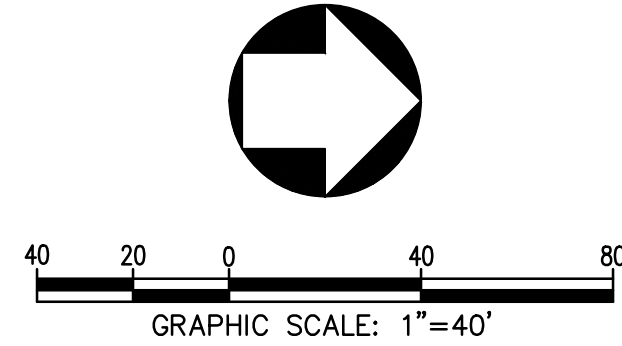
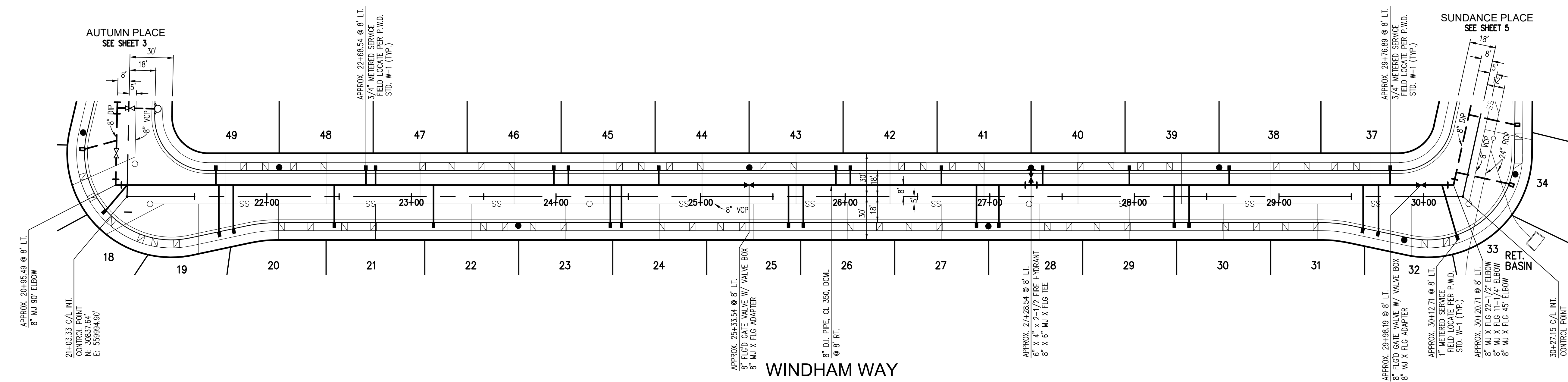
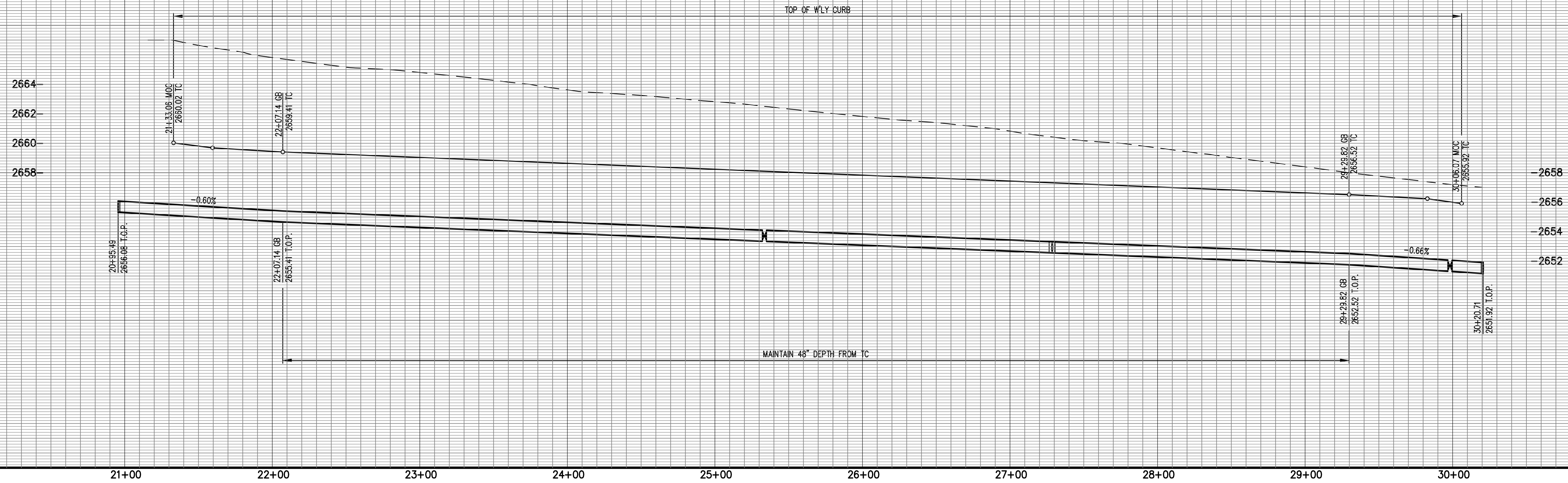
PALMDALE WATER DISTRICT DATE _____

WATER SYSTEM IMPROVEMENTS

FULL MOON AVENUE
FROM 9+92.16 TO 21+27.06

WSM NO. 46-87 TRACT 71770 SHEET: 6 OF 10

SCALE: HOR. 1" = 40'
VERT. 1" = 4'



RECORD RCE		REVISIONS BLOCK	PMD		DEVELOPER INFO NAME, ADDRESS, PHONE
NO.	DATE		APPR.	DATE	
△					

REGISTERED CIVIL
ENGINEER STAMP

ENGINEERING FIRM INFORMATION
NAME, ADDRESS, PHONE, FAX, ETC.

NAME _____ DATE _____

PALMDALE WATER DISTRICT

APPROVED BY: _____

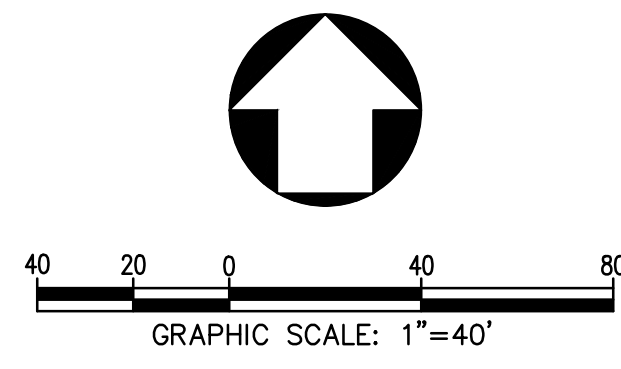
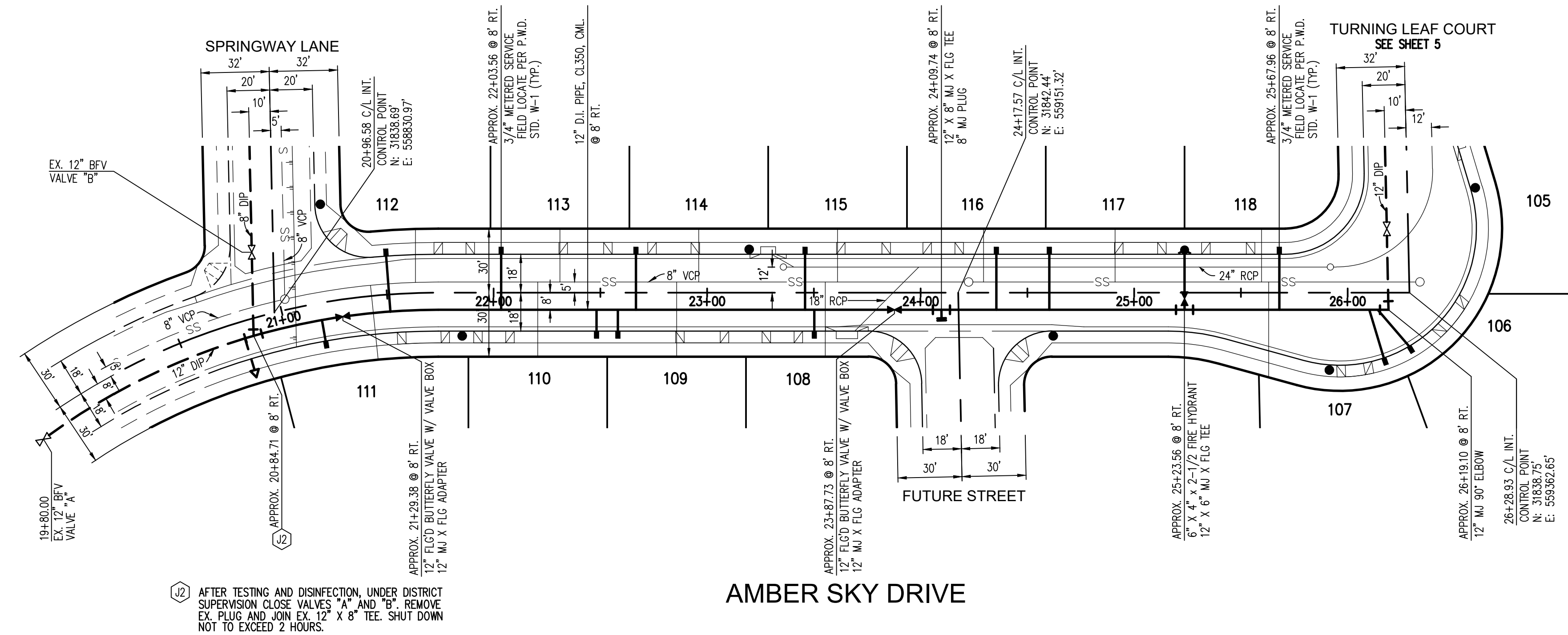
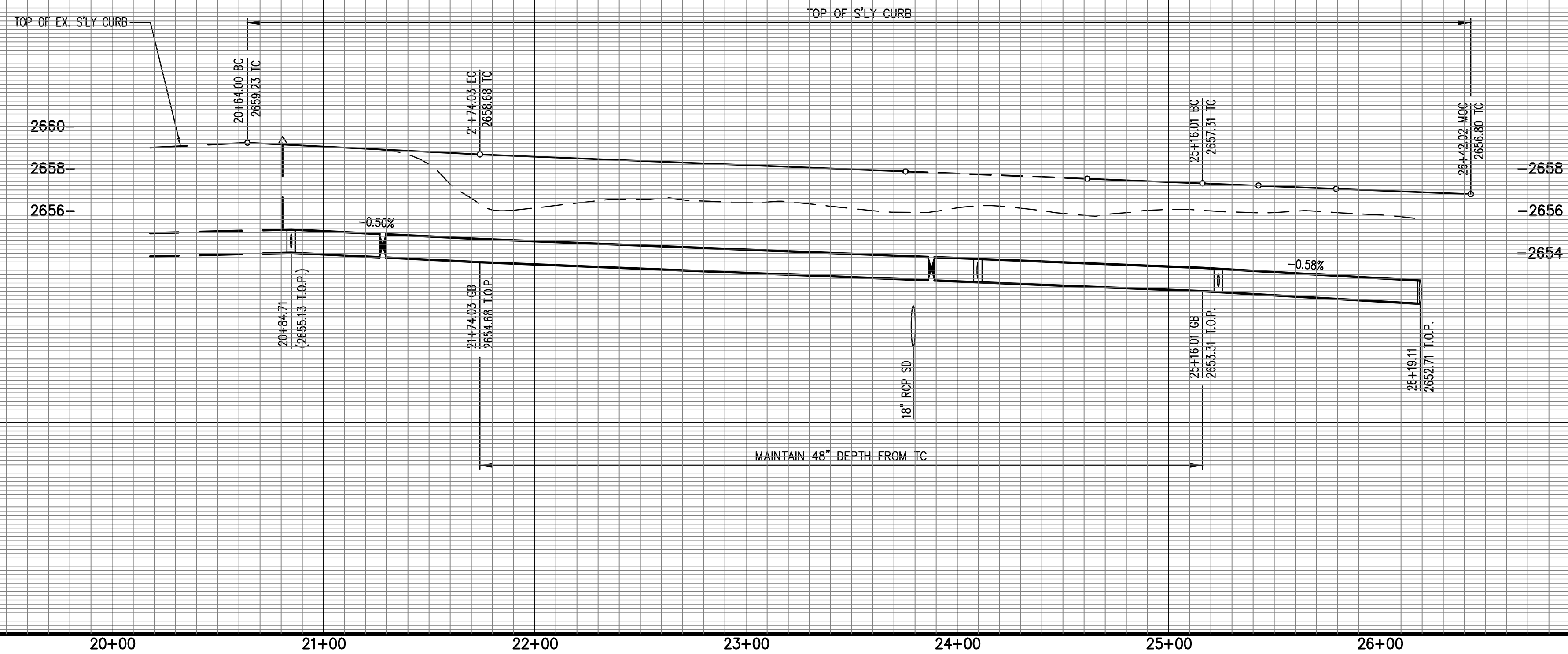
PALMDALE WATER DISTRICT DATE _____

WATER SYSTEM IMPROVEMENTS

WINDHAM WAY
FROM 20+95.49 TO 30+20.71

WSM NO. 46-87 TRACT 71770 SHEET: 7 OF 10

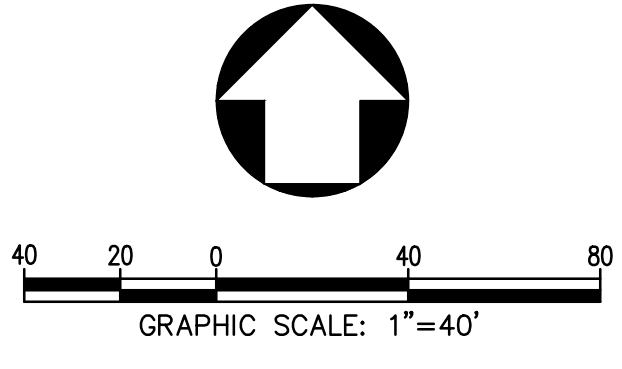
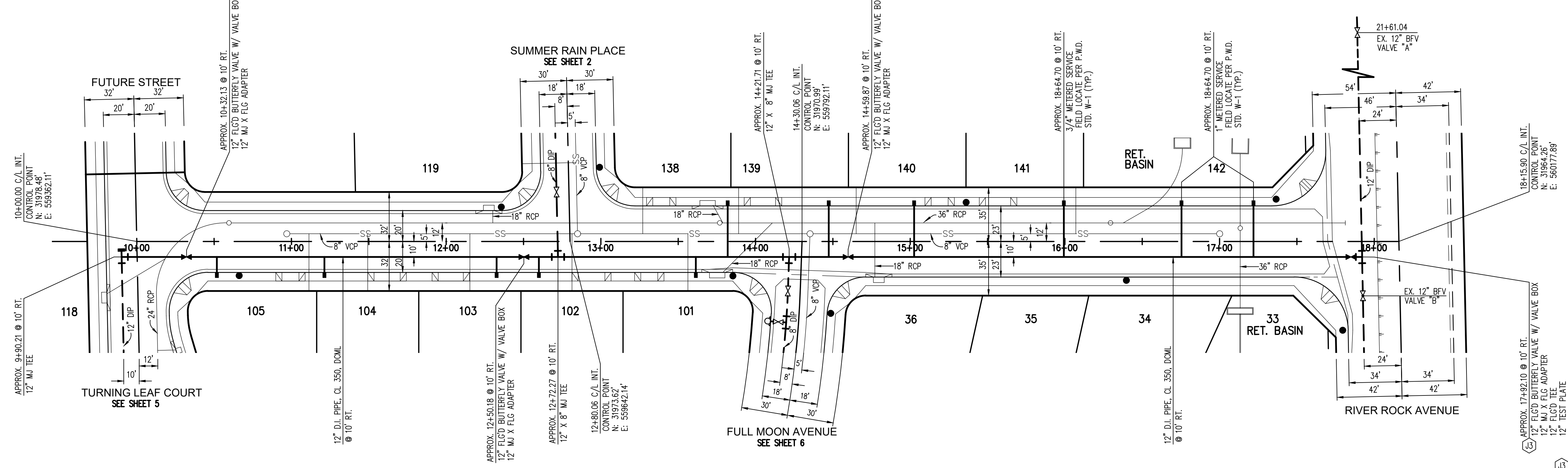
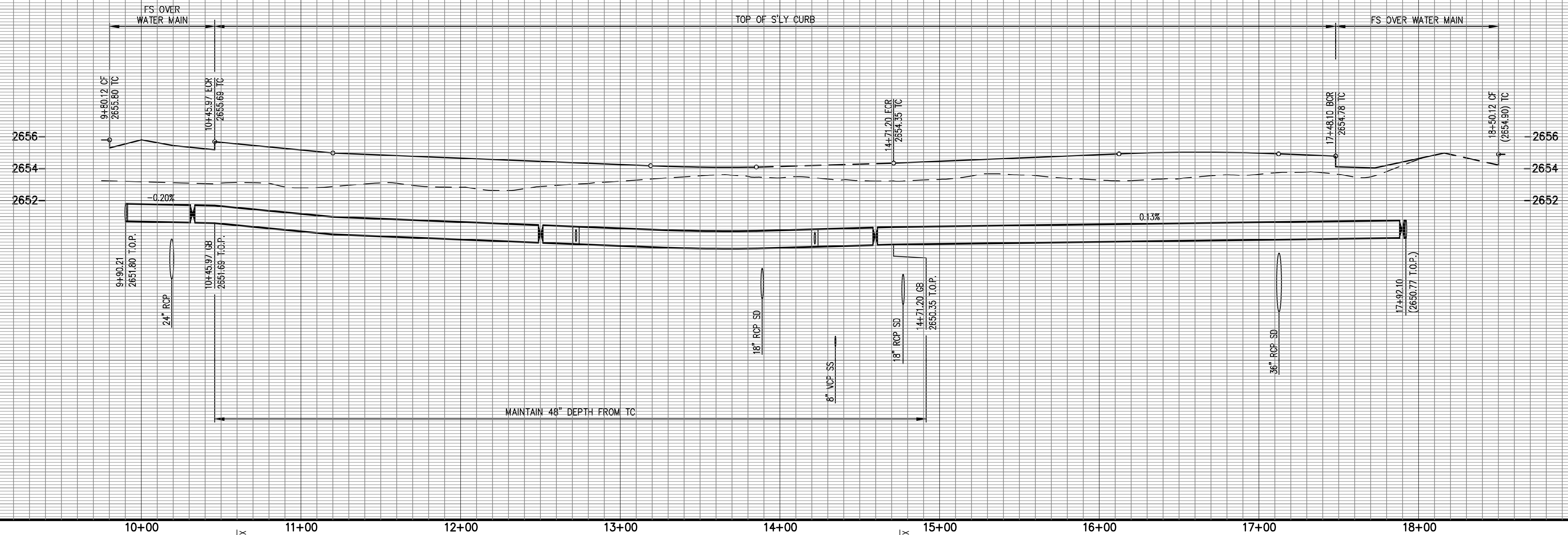
SCALE: HOR. 1" = 40'
VERT. 1" = 4'



(12) AFTER TESTING AND DISINFECTION, UNDER DISTRICT SUPERVISION CLOSE VALVES "A" AND "B". REMOVE EX. PLUG AND JOIN EX. 12" X 8" TEE. SHUT DOWN NOT TO EXCEED 2 HOURS.

RECORD RCE		REVISIONS BLOCK		PMD		DEVELOPER INFO		ENGINEERING FIRM INFORMATION		PALMDALE WATER DISTRICT		WATER SYSTEM IMPROVEMENTS	
NO.	DATE	REVISION DESCRIPTION		APPR.	DATE	NAME, ADDRESS, PHONE		NAME, ADDRESS, PHONE, FAX, ETC.		APPROVED BY:		AMBER SKY DRIVE	
△								REGISTERED CIVIL ENGINEER STAMP				FROM 20+84.71 TO 26+19.11	
								NAME DATE		PALMDALE WATER DISTRICT DATE		WSM NO. 46-87 TRACT 71770 SHEET: 8 OF 10	

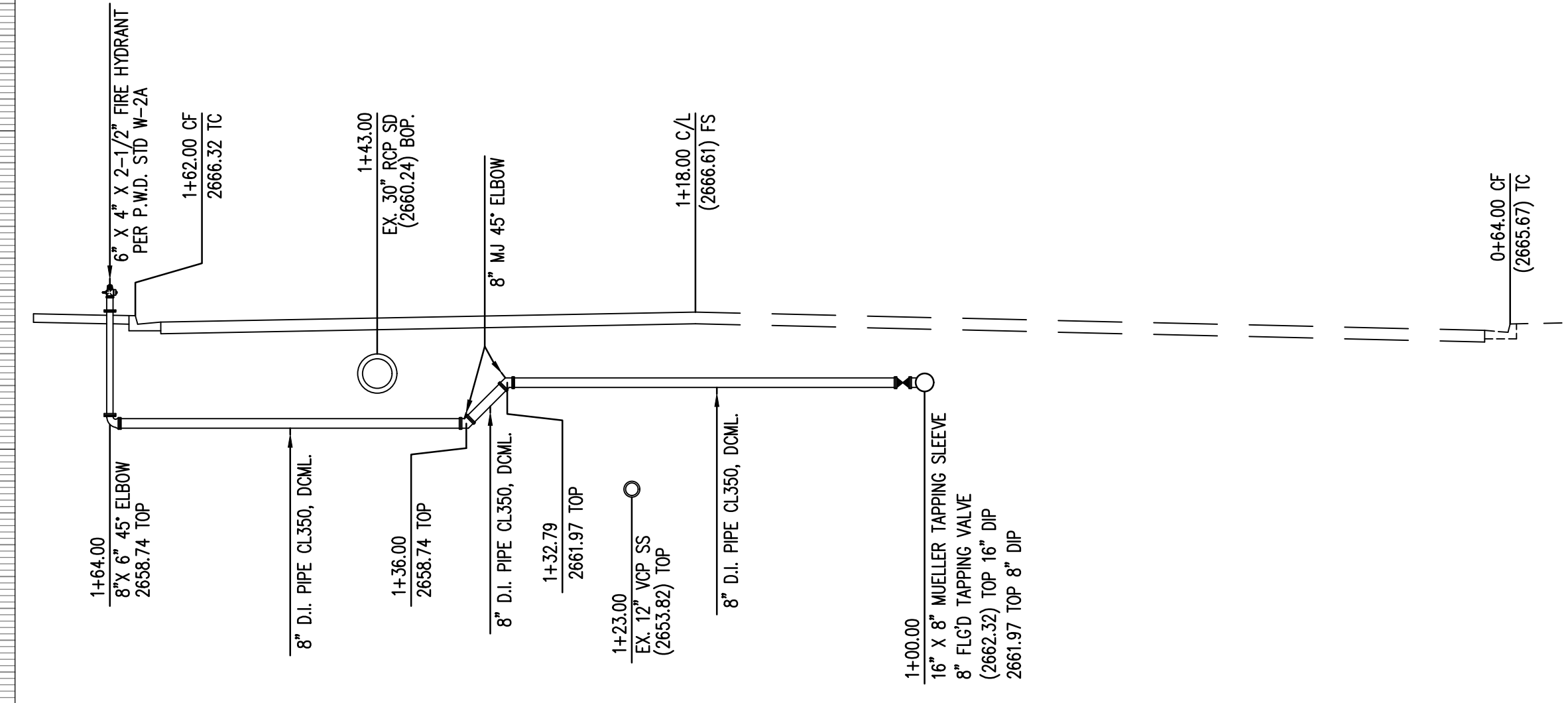
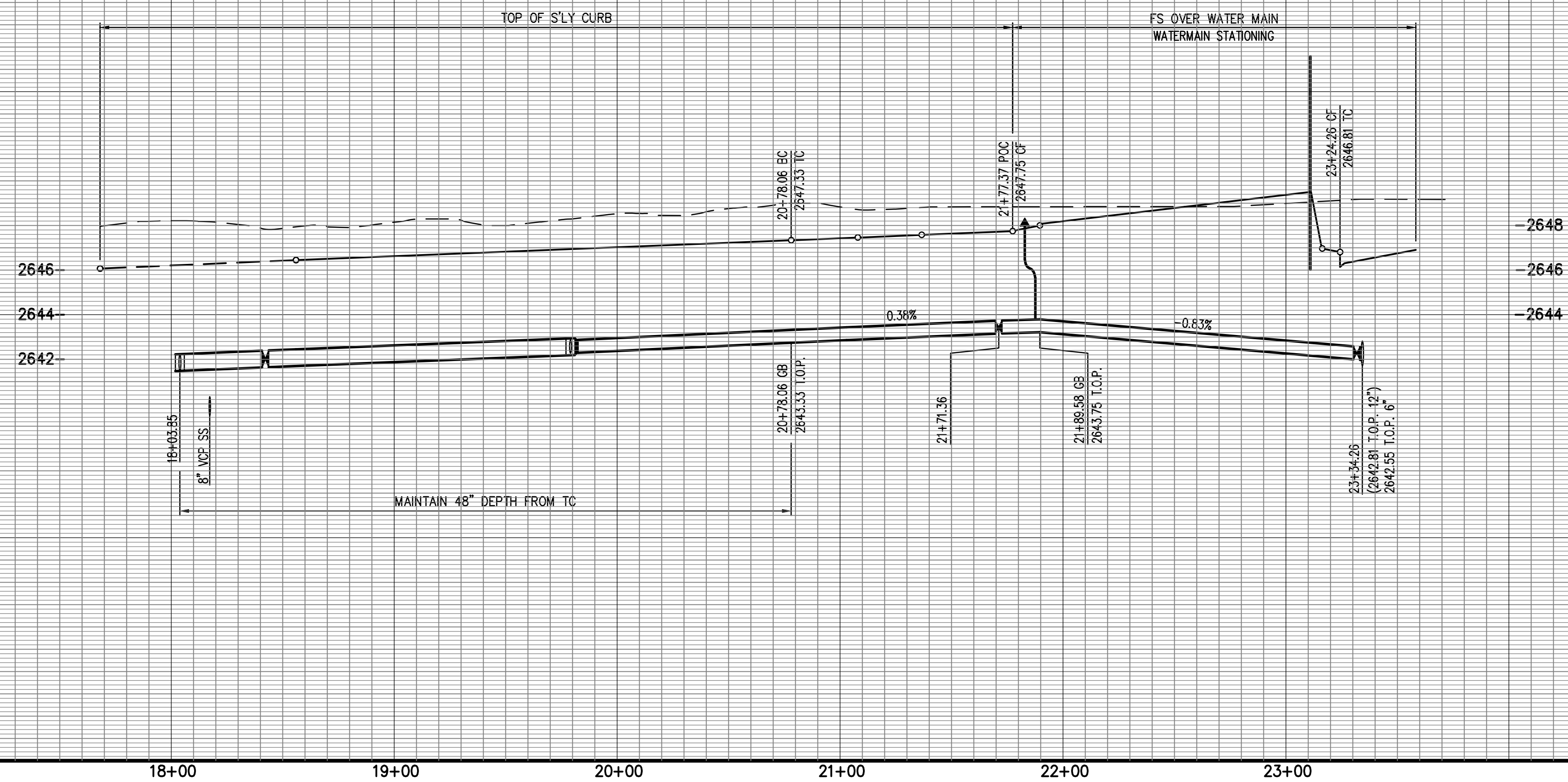
SCALE: HOR. 1" = 40'
VERT. 1" = 4'



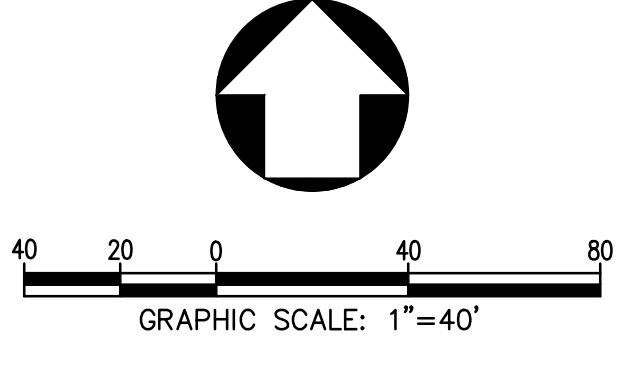
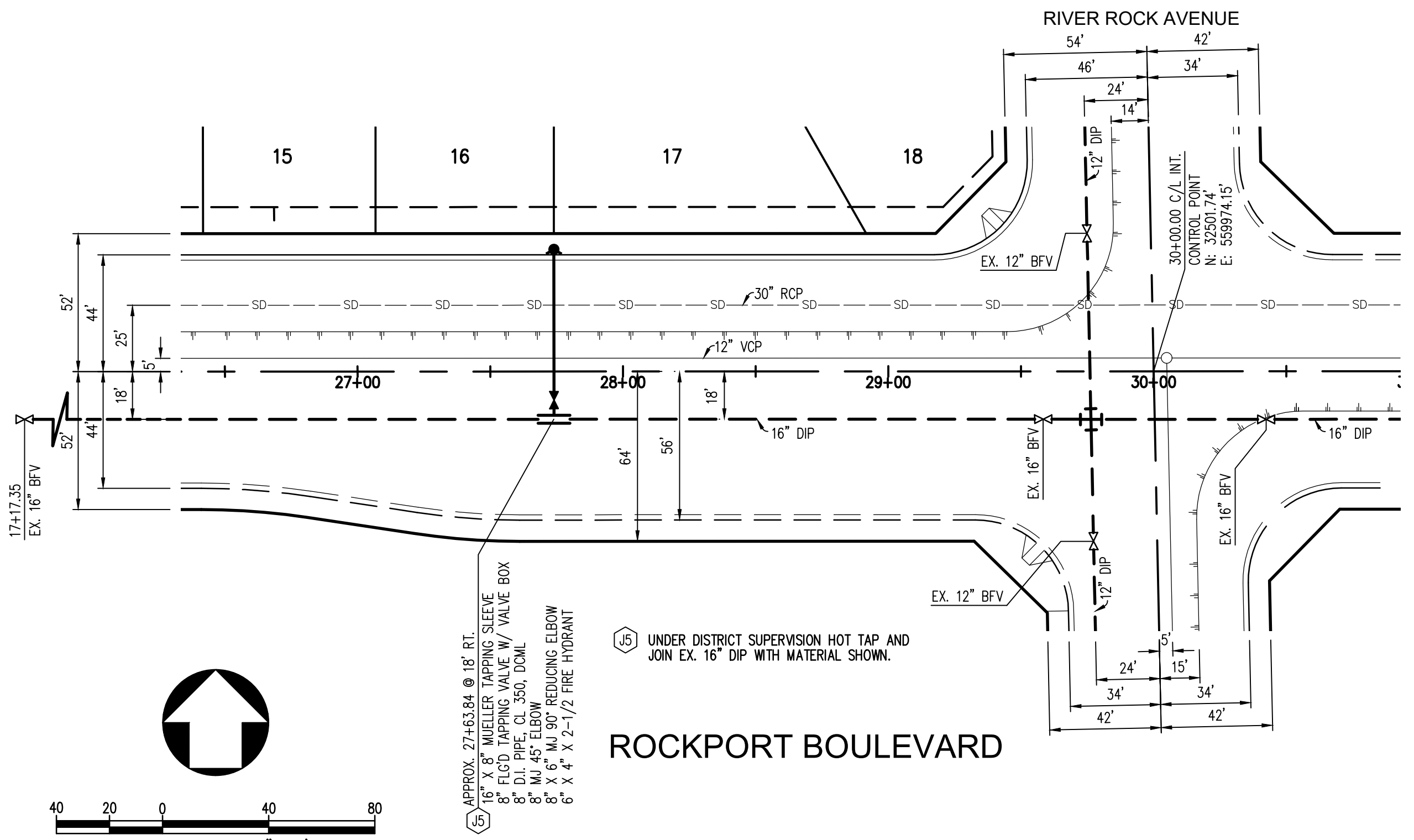
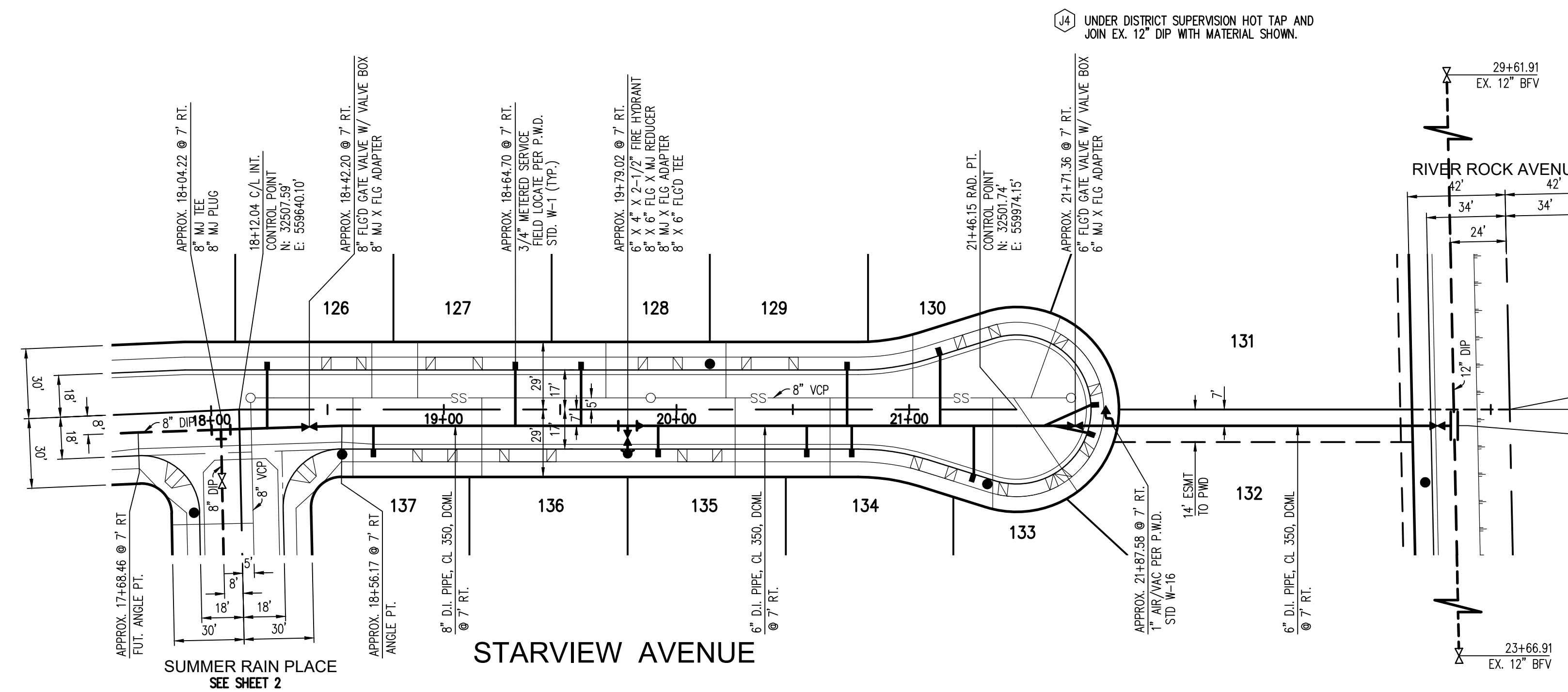
UNDER DISTRICT SUPERVISION CLOSE VALVES "A" AND "B" CUT AND REMOVE A PORTION OF EX. 12" DIP AND JOIN WITH MATERIAL SHOWN. SHUT DOWN NOT TO EXCEED 2 HOURS.

RECORD RCE		REVISIONS BLOCK		PMD		DEVELOPER INFO		ENGINEERING FIRM INFORMATION		PALMDALE WATER DISTRICT		WATER SYSTEM IMPROVEMENTS	
NO.	BY	DATE	REVISION DESCRIPTION	APPR.	DATE	NAME, ADDRESS, PHONE		NAME, ADDRESS, PHONE, FAX, ETC.		APPROVED BY:		SUMMER NIGHT LANE FROM 9+90.21 TO 17+92.10	
NAME		DATE		PALMDALE WATER DISTRICT		DATE		WSM NO. 46-87		TRACT 71770		SHEET: 9 OF 10	

SCALE: HOR. 1" = 40'
VERT. 1" = 4'



FIRE HYDRANT CONNECTION
27+73.83 ROCKPORT BOULEVARD
SCALE: 1" = 10'



RECORD RCE		REVISIONS BLOCK		PMD		DEVELOPER INFO	
NO.	BY	DATE	REVISION DESCRIPTION	APPR.	DATE	NAME	ADDRESS, PHONE
1							

REGISTERED CIVIL ENGINEER STAMP

ENGINEERING FIRM INFORMATION
NAME, ADDRESS, PHONE, FAX, ETC.

NAME _____ DATE _____

PALMDALE WATER DISTRICT

APPROVED BY: _____

PALMDALE WATER DISTRICT DATE _____

WATER SYSTEM IMPROVEMENTS

STARVIEW AVENUE/ESMT LINE
FROM 18+03.85 TO 23+34.26

ROCKPORT BOULEVARD
FIRE HYDRANT CONNECTION @ 27+73.83

WSM NO. 46-87 TRACT 71770 SHEET: 10 OF 10